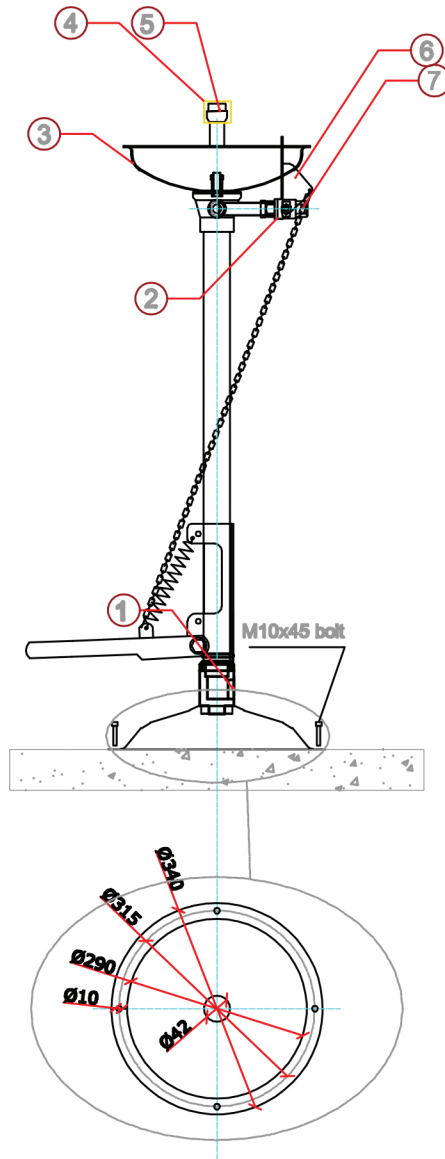


EYEWASH SHOWER 15014000



Standarts: EN 15154-2
 Water Flow: 11,5 l/ min for Eyewash
 Total Weight: 10,75 kgs
 Packed Dimensions: 81 x 32 x 22 cm

Static test pressure : 7 bar
 Min using pressure : 1,4 bar
 Max using pressure : 2,8 bar

NO.	DESCRIPTION	NOTES
7	Water Inlet 1/2"	
6	Push Handle Control for Eyewash	
5	Spray Nozzles	
4	Dust Cover on Eyewash Spray	
3	Eyewash Bowl	
2	1/2" Ball Valve	
1	Water Outlet 1 1/4" (Female)	